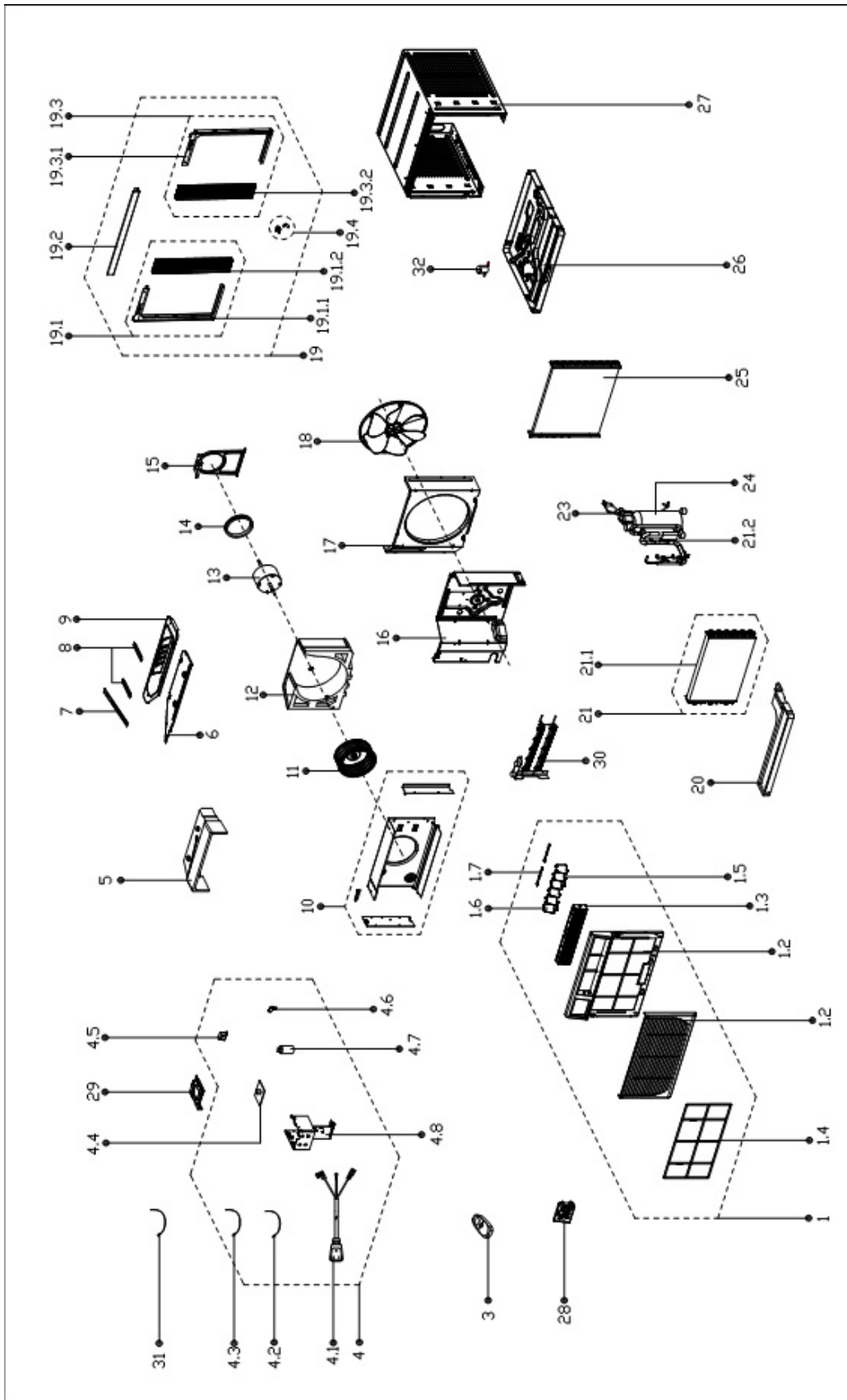


HEAT CONTROLLER

**REPLACEMENT
PARTS LIST**

**Room Air Conditioner with R-410A:
REG-123L**

EXPLODED VIEW



REPLACEMENT PARTS

Location	Part Name	Quantity	Part No.
1	Panel assembly	1	2011213A0065
1.1	Panel frame	1	2011213A0101
1.2	Front panel	1	P0000860207
1.3	Air outlet frame	1	2011213A0100
1.4	Air filter	1	201121790267
1.5	Horizontal louver	1	201121790265
3	Remote controller	1	2033550A3128
4	Electronic control box assembly	1	2033217A0566
4.1	Power cord	1	202419990025
4.2	Ambient temperature sensor assembly	1	202301300210
4.3	Pipe temperature sensor assembly	1	202301300077
4.4	Main control board assembly	1	2013217A0214
4.5	Transformer	1	202300900140
4.6	Capacitor clip	1	201221790129
4.7	Capacitor of compressor	1	202401000079
4.8	Electronic control box	1	201221390056
5	Upper volute shell	1	202621390026
6	Front cover	1	201221390054
7	Connecting board	1	201221390045
8	Connecting board	2	201221790102
9	Rear cover	1	201221790106
10	Air-inlet board	1	201221390167
11	Centrifugal fan	1	201100100026
12	Volute Shell	1	202221390001
13	Asynchronous motor	1	202400401128
14	Washer for motor bracket	1	202721390004
15	Supporter assembly of fan motor	1	201221390046
16	Front separating board	1	201221790103
17	Rear separating	1	201221390125
18	Axial flow fan	1	201100300023
19	Installation accessory	1	202821390007
19.1	Left shutter frame	1	201121790359
19.1.1	Left shutter frame	1	201121790214
19.1.2	Shutter	1	201121790212
19.2	Top shutter frame	1	201221790177
19.3	Right shutter frame	1	201121790358
19.3.1	Right shutter frame	1	201121790213
19.3.2	Shutter	1	201121790212
19.4	Screw bag	1	202821790016
20	Condenser water tray	1	202221790011
21	Evaporator coil assembly	1	201521790286
21.1	Evaporator	1	201521790221
21.2	Capillary assembly	1	201621790460
22	Suction pipe assembly	1	201621791153
23	Discharge pipe assembly	1	201621791166
24	Compressor	1	201402000480
25	Condenser assembly	1	201521790289
26	Chassis assembly	1	201221790179
27	Cabinet assembly	1	201221390119
28	Display box assembly	1	2033219A0256
29	Cover of electronic control box	1	201221390055
30	Electric heater	1	202403100268
31	Discharge temperature sensor assembly	1	202301310065
32	Drain valve	1	202301610703
	Display label		2020213A0797
	Carton		2026217A1692

Due to ongoing product improvements, specifications and dimensions are subject to change and correction without notice or incurring obligations. Determining the application and suitability for use of any product is the responsibility of the installer. Additionally, the installer is responsible for verifying dimensional data on the actual product prior to beginning any installation preparations.

Incentive and rebate programs have precise requirements as to product performance and certification. All products meet applicable regulations in effect on date of manufacture; however, certifications are not necessarily granted for the life of a product. Therefore, it is the responsibility of the applicant to determine whether a specific model qualifies for these incentive/rebate programs.

HEAT CONTROLLER

1900 Wellworth Ave., Jackson MI 49203 • Ph. 517-787-2100 • www.heatcontroller.com

A  Company